

Mitcorp Calibration Method For X1000

By Candice Tseng
January 2015

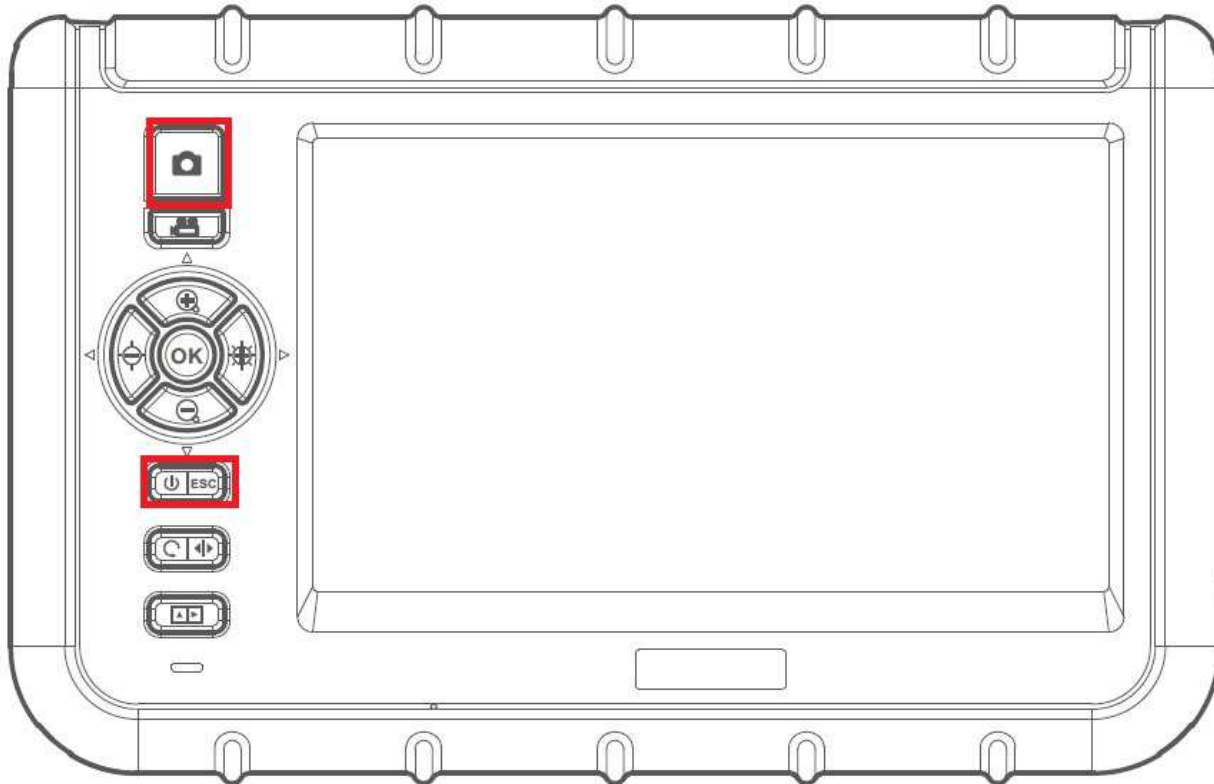
Mitcorp
INSPECTION REDEFINED

Agenda

Calibration Method

Calibration Method for Mitcorp X1000

Step 1

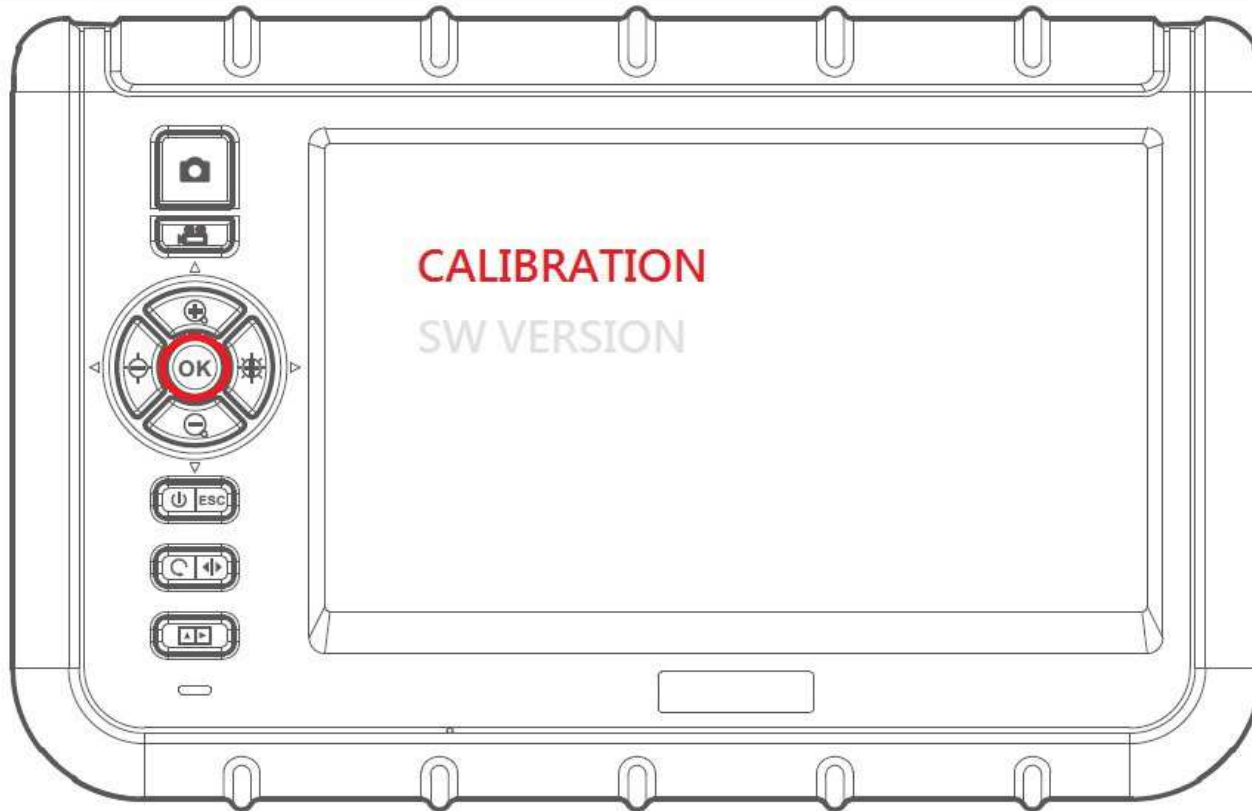


1-1 Making sure X1000 system is power off.

1-2 Pressing “Power” button and “Snapshot” at the same time for few seconds to enter **Factory mode**

Calibration Method for Mitcorp X1000

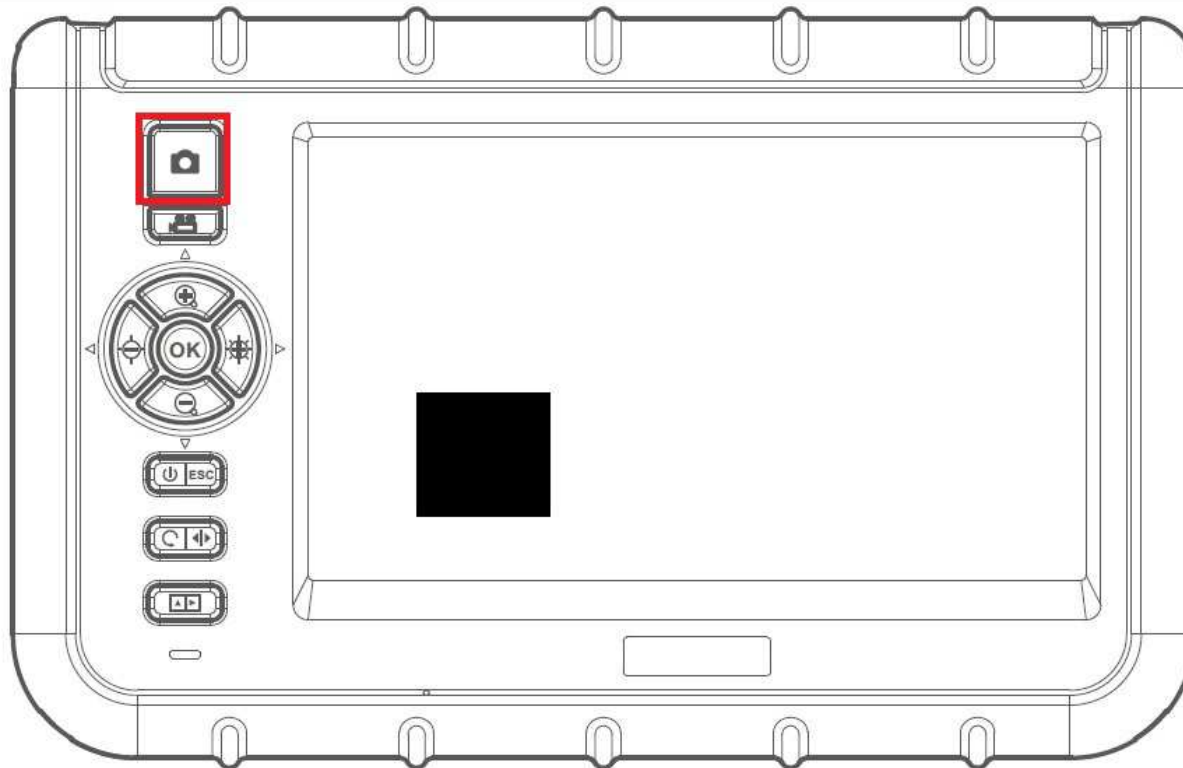
Step 2



2-1 Selecting
“**Calibration**”
and pressing
“**Ok**” button.

Calibration Method for Mitcorp X1000

Step 3 Black balance adjustment

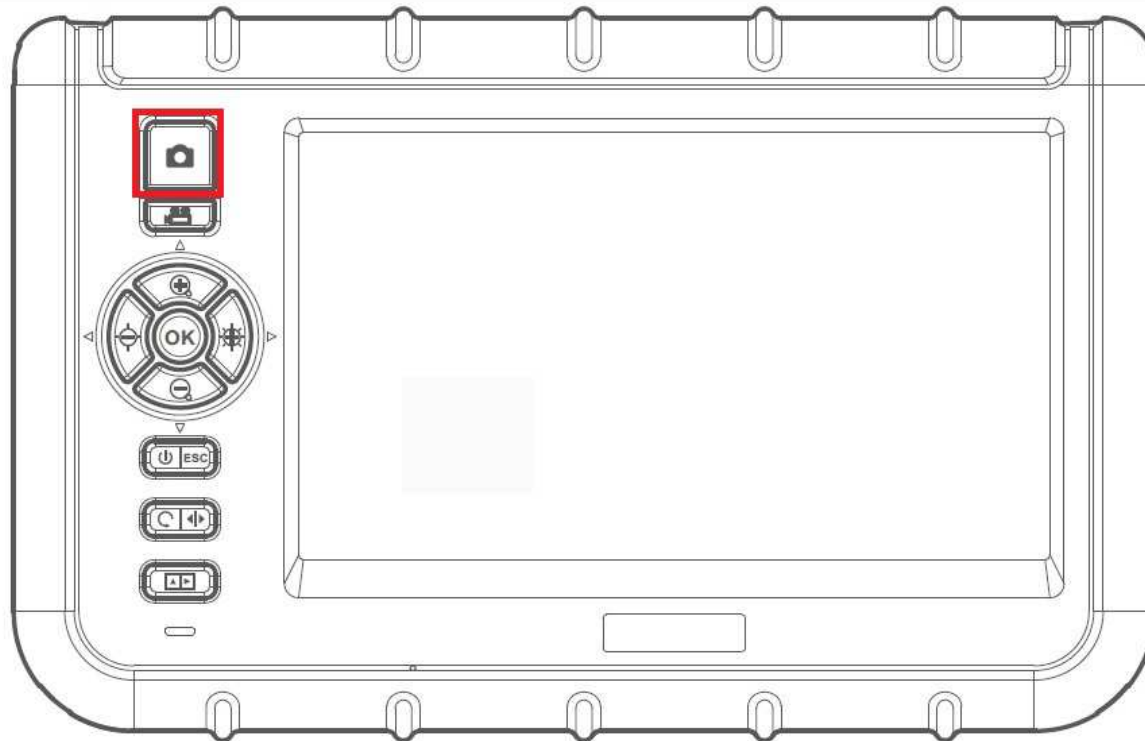


3-1 Placing camera head in a dark environment then pressing “**Snapshot**” button.

3-2 Waiting 3 seconds

Calibration Method for Mitcorp X1000

Step 4 White color calibration

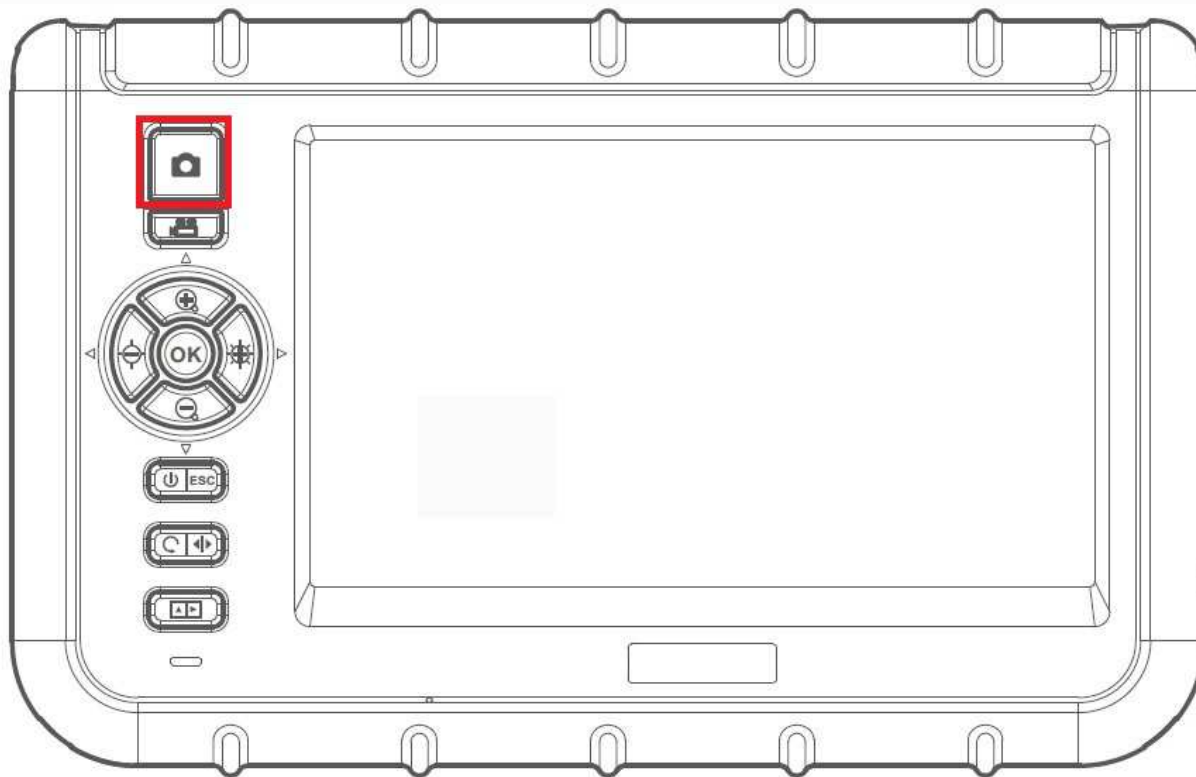


4-1 Moving the camera head to a white area(lamp or flash light) until whole screen is pure white then pressing “**Snapshot**” button.

4-2 Waiting 3 seconds

Calibration Method for Mitcorp X1000

Step 5 White balance adjustment

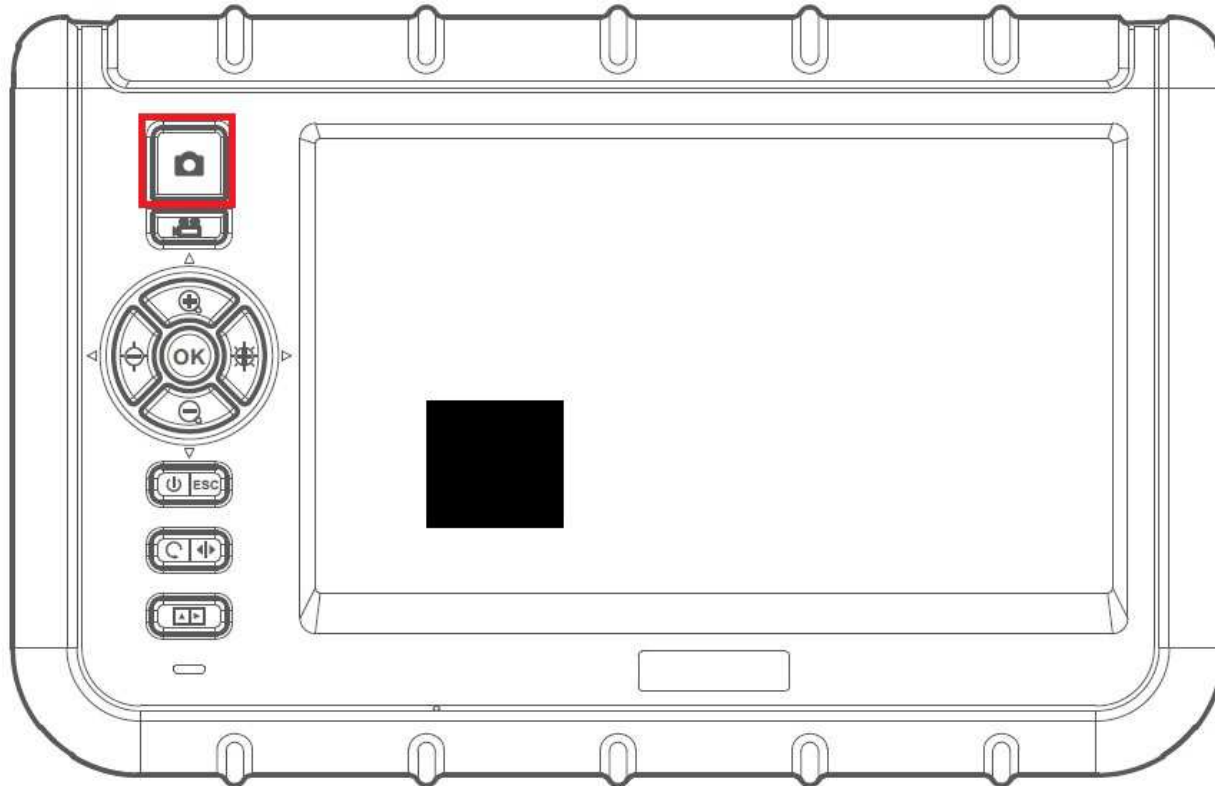


5-1 Moving the camera head to a bright area until whole screen is pure white then pressing “**Snapshot**” button.

5-2 Waiting 3 seconds

Calibration Method for Mitcorp X1000

Step 6 Black color calibration

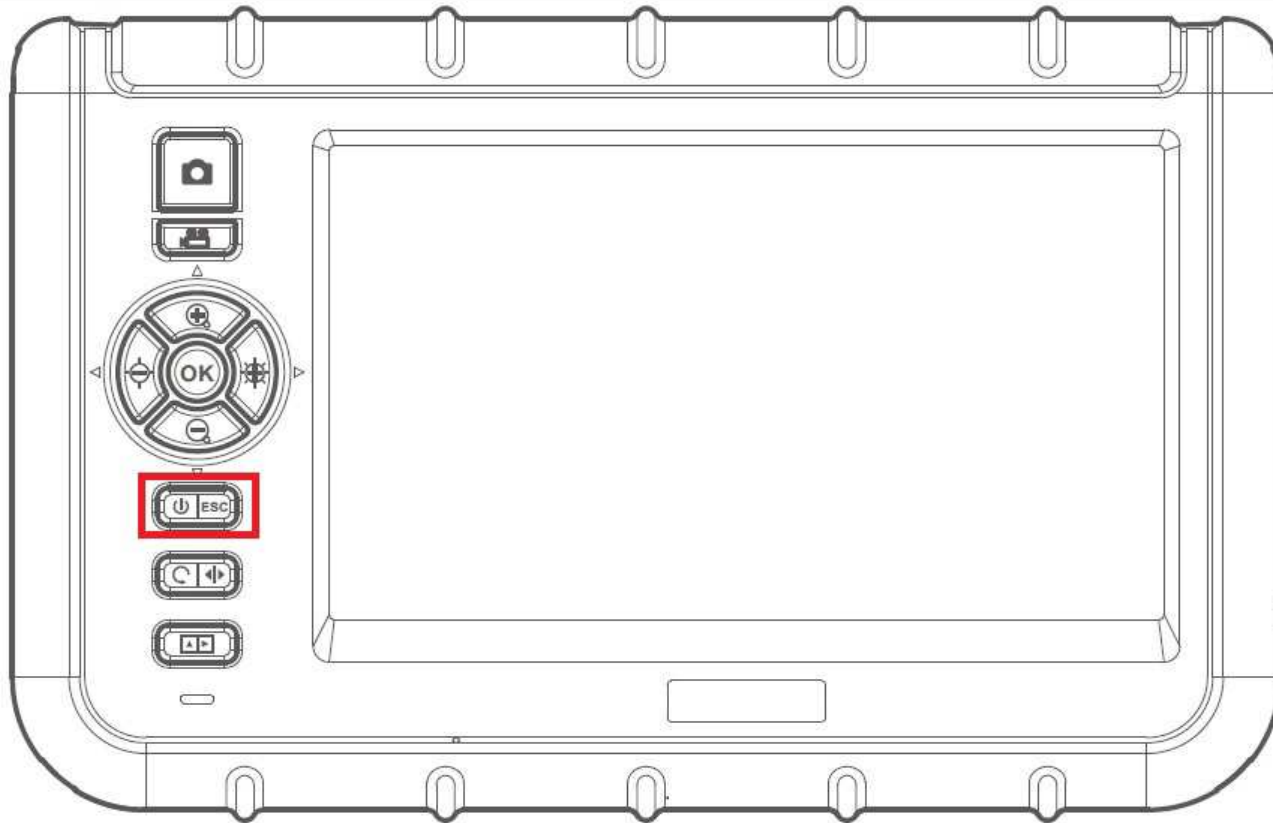


6-1 Placing camera head in a dark area until whole screen is pure black then pressing “**Snapshot**” button

6-2 Waiting 3 seconds

Calibration Method for Mitcorp X1000

Step 7 Reboot



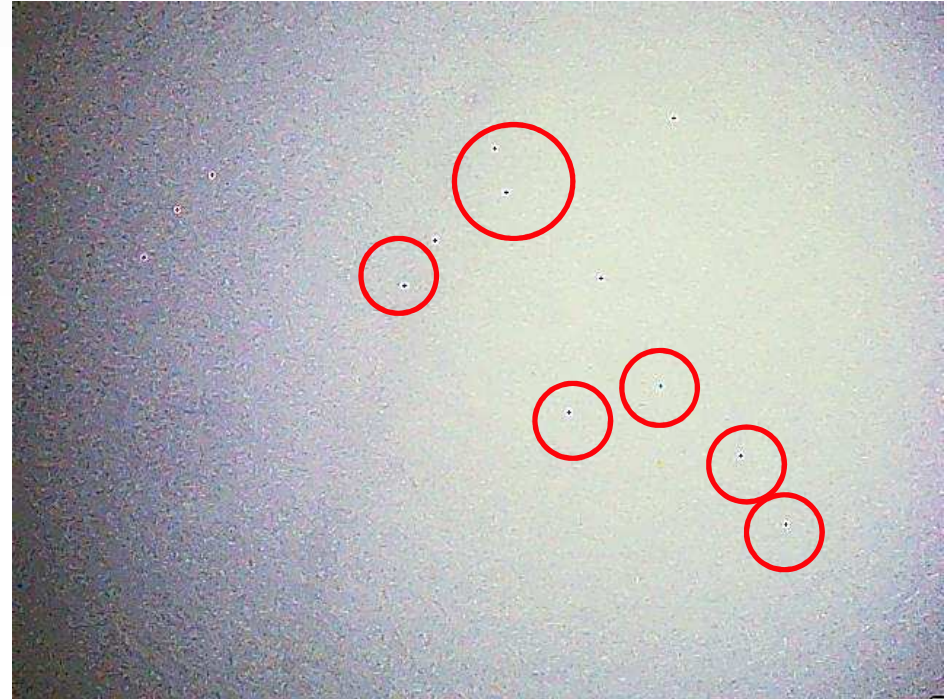
7-1 Pressing
“Power on”
button for
reboot the
system

Calibration Method for Mitcorp X1000

Step 8 Confirm Calibration successful or not



Calibration OK



Calibration Fail

THANK YOU

Mitcorp
INSPECTION REDEFINED